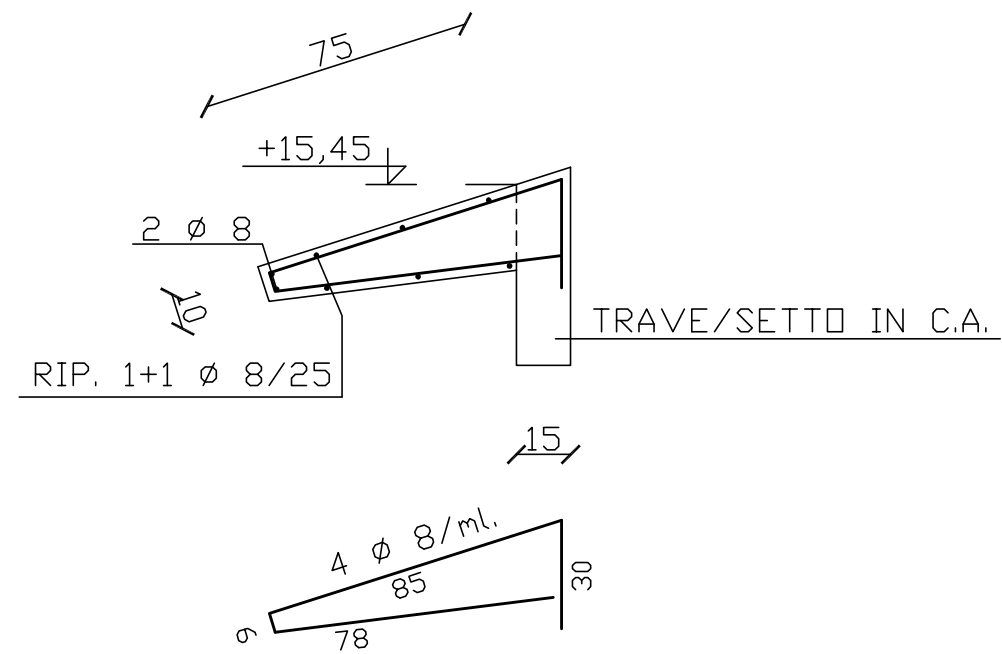
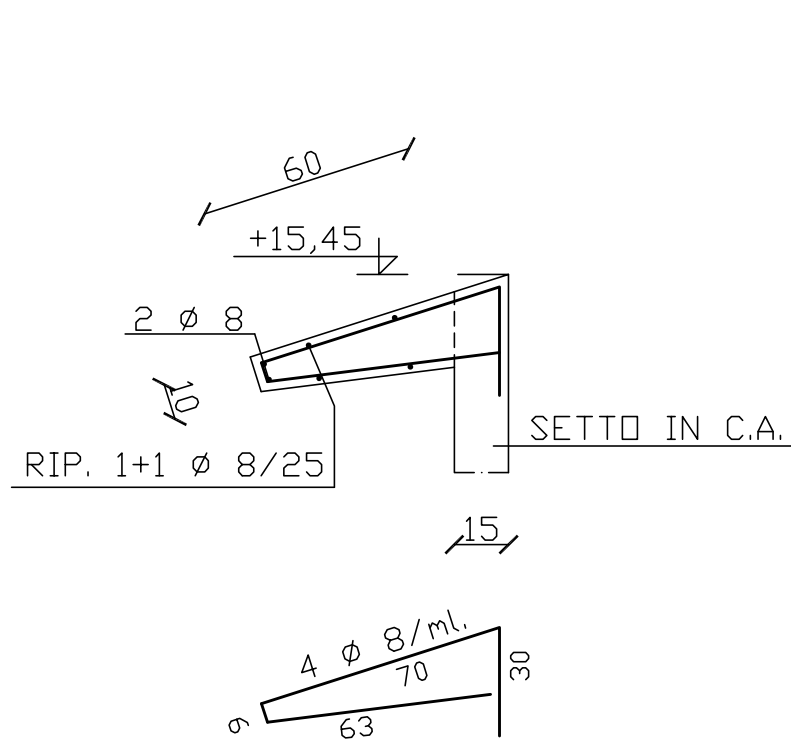


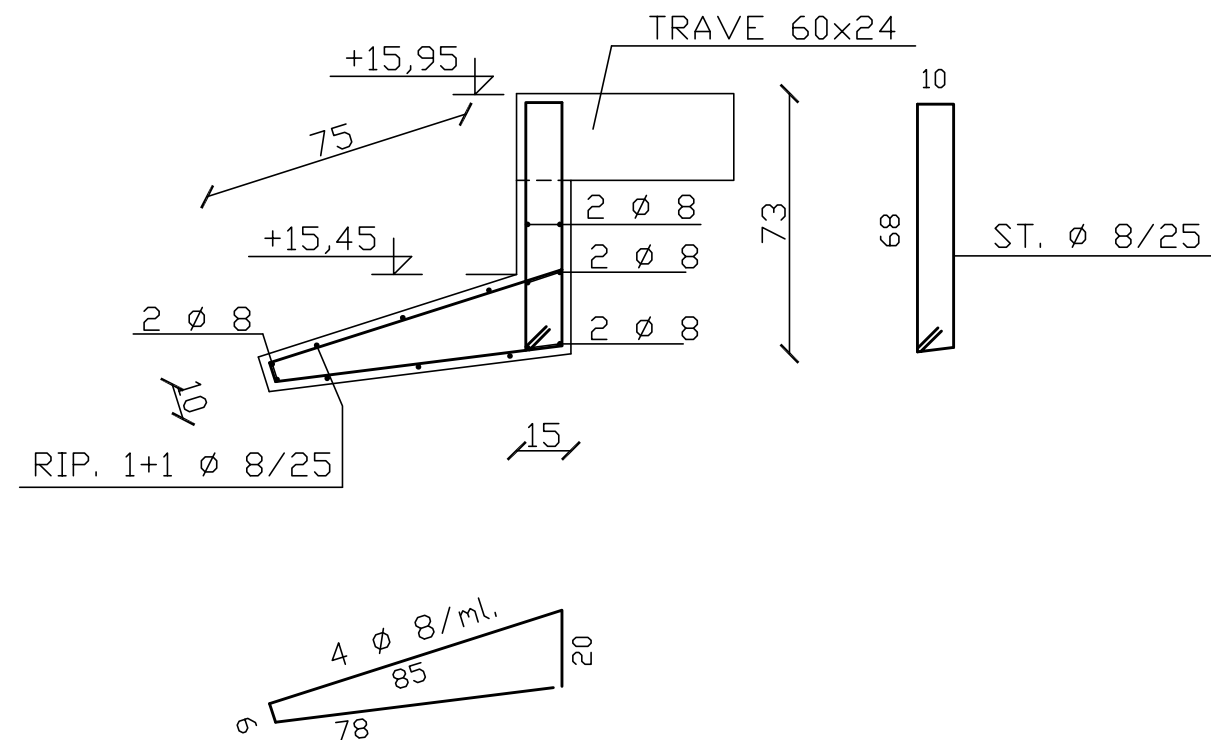
ARM. GRONDA IN C.A.
 CAMPATE 637-603-604-605-606,
 606-612-624 E 635-636
 1:25



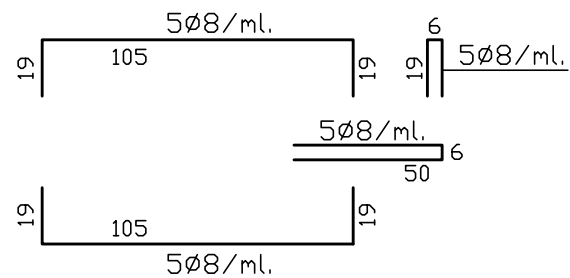
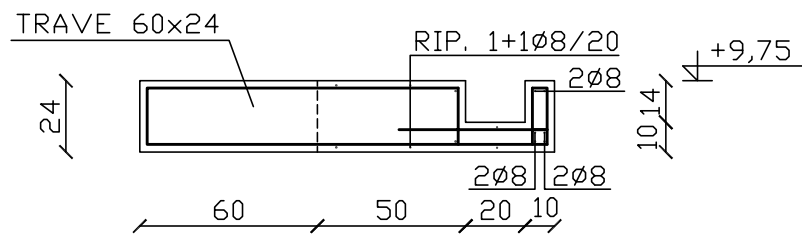
ARM. GRONDA IN C.A.
 CAMPATE 624-626-631-636
 1:25



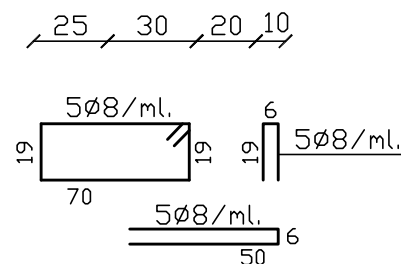
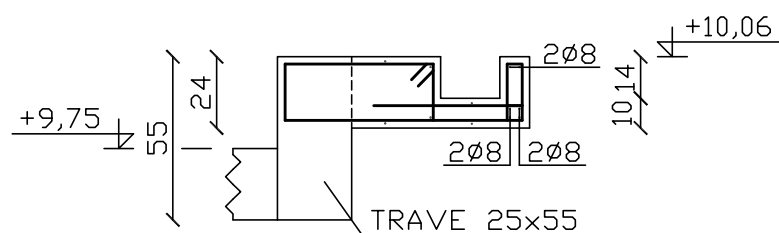
ARM. GRONDA IN C.A.
 CAMPATA 634-635
 1:25



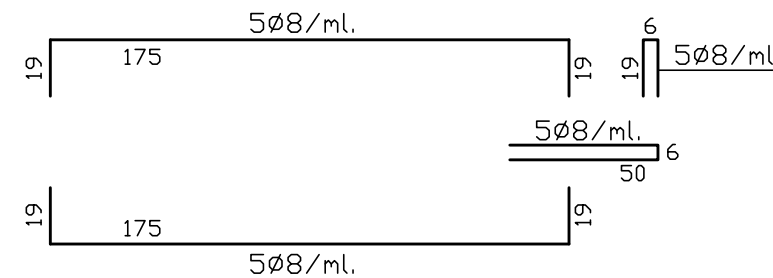
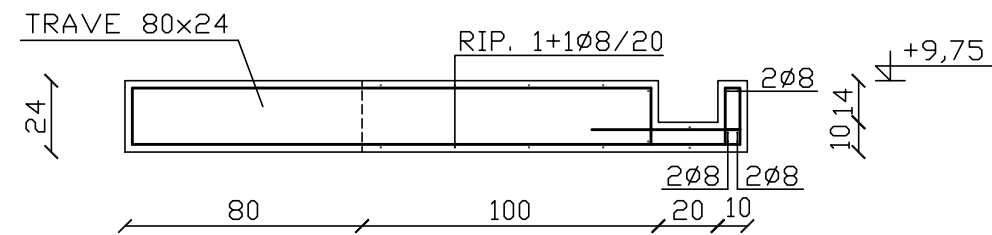
ARM. GRONDA IN C.A.
 CAMPATA 633-634 (in parte)
 1:25



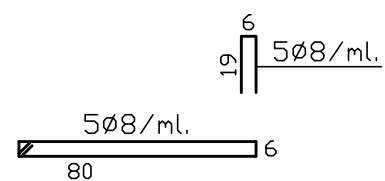
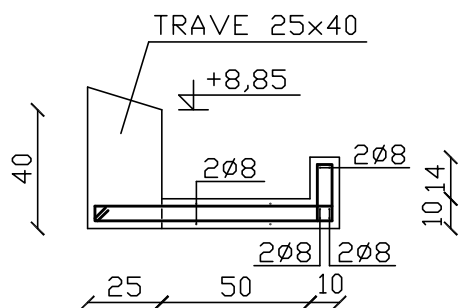
ARM. GRONDA IN C.A.
CAMPATA 516-517
1:25



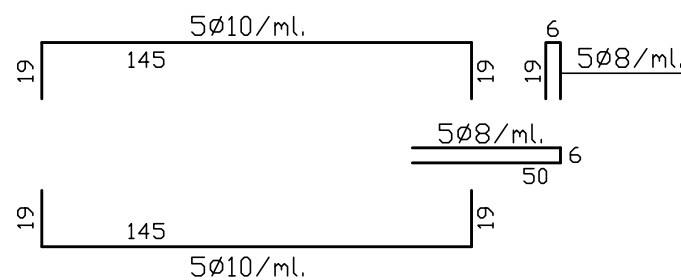
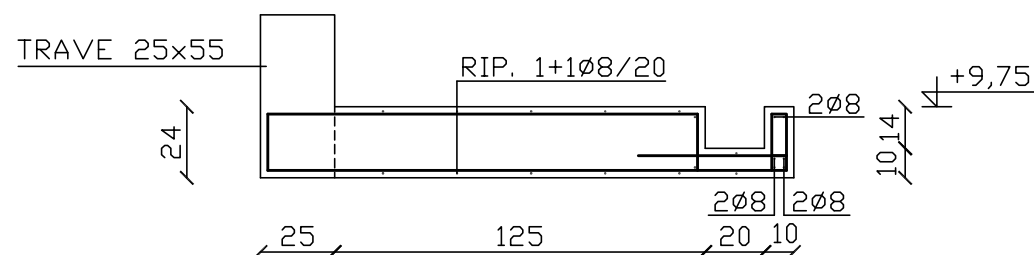
ARM. GRONDA IN C.A.
CAMPATE 542-543-544, 546-547-548
E 550-551 1:25



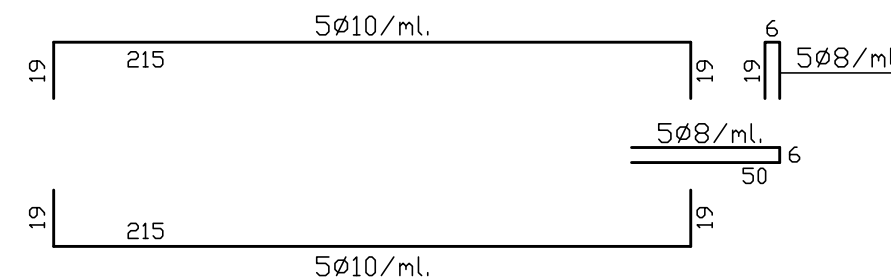
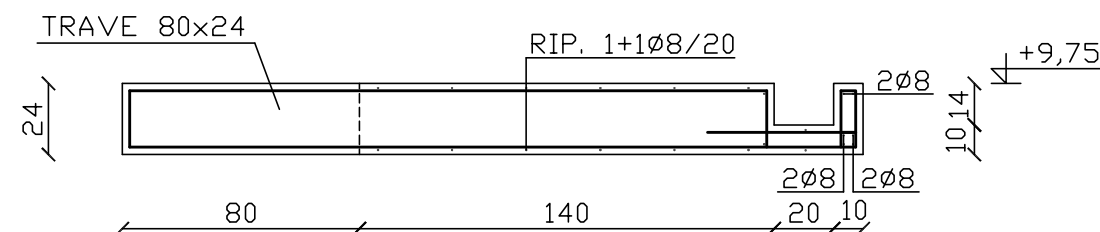
ARM. GRONDA IN C.A.
CAMPATA 525-526 1:25



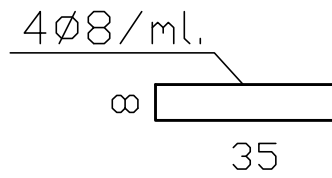
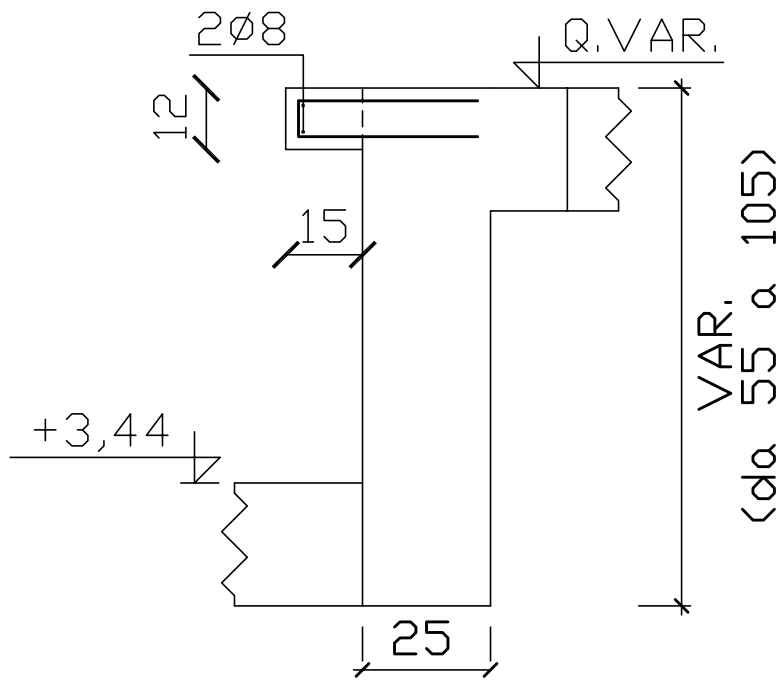
ARM. GRONDA IN C.A.
CAMPATE 510-511-512
E 513-514-515 1:25



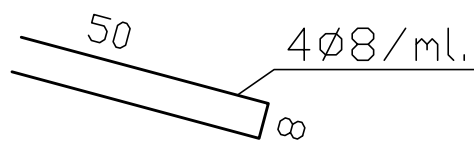
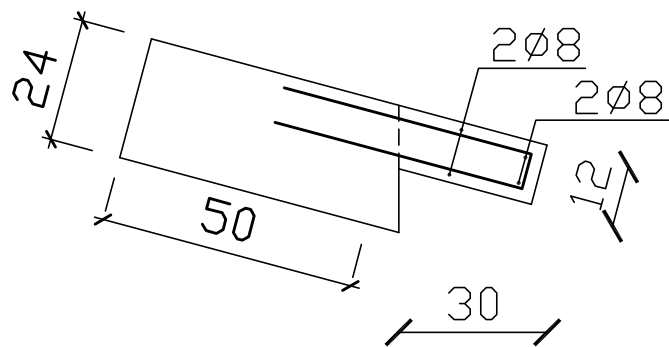
ARM. GRONDA IN C.A.
CAMPATE 541-542, 544-545-546
E 548-549 1:25



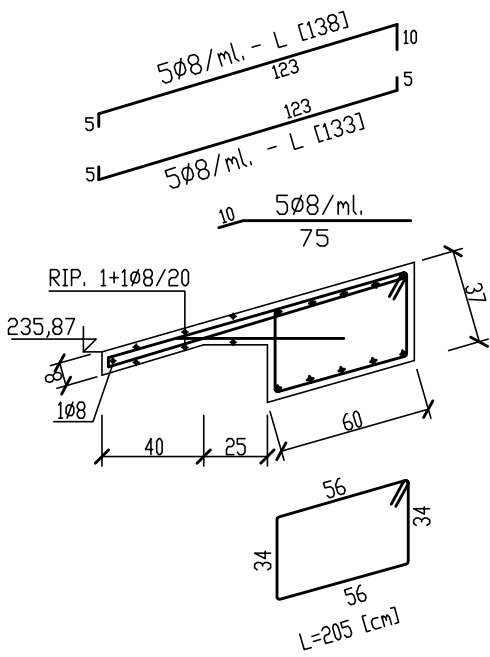
ARM. GRONDA IN C.A.
CAMPATE 518-552, 553-521-554
E 555-524 1:25



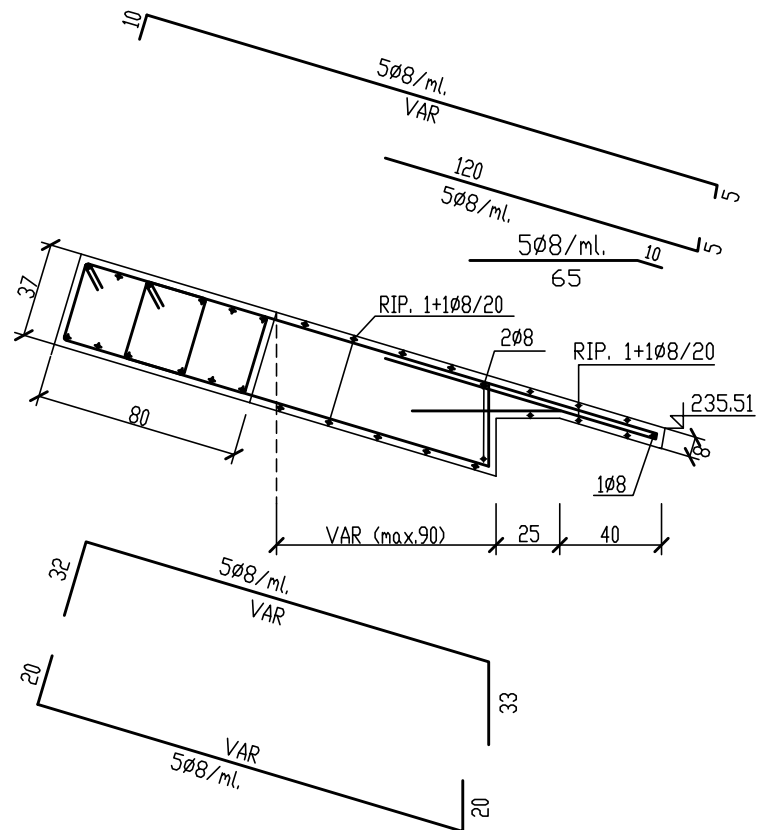
ARM. GRONDA IN C.A.



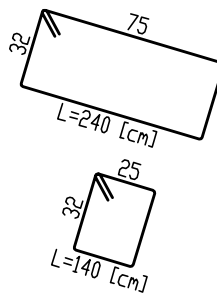
ARM. GRONDA IN C.A.



Pos	N.	φ	P'[cm]
A	24	8	10.0
B	22	8	25.0



Pos	N.	φ	P'[cm]
A	10	8	10.0
B	23	8	20.0



Pos	N.	φ	P'[cm]
A	10	8	10.0
B	23	8	20.0

PARTICOLARE GRONDA
SCALA 1:10

